

vft black line pumps



Black Hawk BH4-13

Fire pump BH4-13

Up to 25,8 bar and 380 l/min

The **BH4-13 fire pump** is within the vft Black Hawk line of portable fire pumps. It combines an efficient and reliable 13 HP * air-cooled **Honda GX390** engine with electronic cut-off, with the Speed Inserter vft and the VFT_4SP 4-stage centrifugal pump, offering excellent high pressure and high flow capacity. This combination can make long hose runs both in series and in parallel without losing performance.

It has a quick coupling system for the **VFT_4SP pump** that allows it to be replaced in the shortest possible time if a breakdown occurs. This pump is also used in the **BP4, BH4-18 and BH4-23** fire pumps, which allows a better management of the spare parts stock.

- > Components made of high quality aluminum and stainless steel.
- > Spare parts available through customer.service@valfirest.com.
- > With the best quality / price ratio.
- > 2 years warranty.

Applications

- Direct attack.
- Long hoses laid.
- Self-protection maneuvers with sprinklers.
- Tandem pumping for long distances.
- Parallel pumping for higher volumes.
- Assembly in skid units and extinguishing vehicles.

Features

- Rope manual starter or electric starter (with extra battery).
- VFT_4SP pump easily interchangeable thanks to a quick release clamp.
- Compatible with VFT_3SP 3-stage and VFT_2SP two-stage pumps.
- Maintenance-free speed increaser. Made of cast aluminum and high quality components.
- Choice of transport base: tubular frame (for greater maneuverability), or base for assembly on vehicles.
- Integrated fuel tank.
- Hand priming pump and pressure gauge included.
- Non-return valve for impulsion included.
- Pump compatible with foam-forming agent.



Certified standards

2006/42/CE

UNE EN-14466:2006+A1 2009
UNE-EN 1028-2:2003+A1 2008



Technical specifications

Engine	Honda GX390
Centrifugal Pump	VFT 4 stage
Fuel Tank	6.1 L
Weight	60.5 kg (dry)
Maximum Pressure	25.8 bar
Maximum Flow	380 l/min
Sizes	Length: 83 cm. Wide: 50 cm. Height: 47 cm.

1. Engine Honda GX390



Motor Specifications

Motor	4 strokes gasoline
Bore x Stroke	88 X 64 mm
Displacement	389 cm ³
Compression ratio	8.2 : 1
Power	11,7 HP a 3600 rpm
Maximum Torque	26,5 Nm a 2500 rpm
Starter	Manual starter with manual recoil rope and electric start.
Fuel tank capacity	6.1 L
Engine oil capacity	1.1 L
Dimensions (l. x w. x h.)	406 x 460 x 448 mm
Dry weight	31.7 kg

* Net engine power is 11,7 HP at 3600 rpm. Mass production of engines can make vary this value.

2. 4-Stage centrifugal pump VFT_4SP



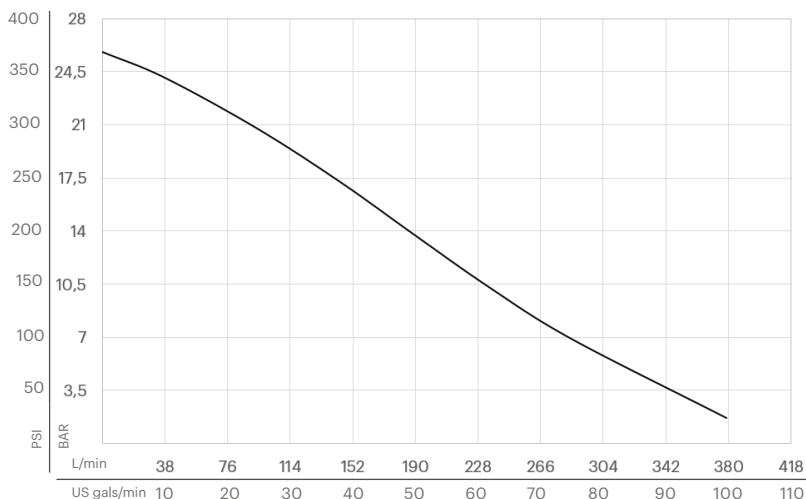
The VFT4SP is a compact, efficient and reliable 4-stage centrifugal pump. The body and impellers are made of anti-corrosive aluminum. The axis and other components are made of stainless steel. Includes a high-quality mechanical seal specifically designed for the Vallfirest pumps.

- Pump compatible with foam-forming agent.
- Compatible with fire pump models: **BP4, BH4-23 and BH4-18.**

VFT4SP Specifications

Suction	2" NPSH
Impulsion	1,5" NPSH

3. BH4-13 Performance



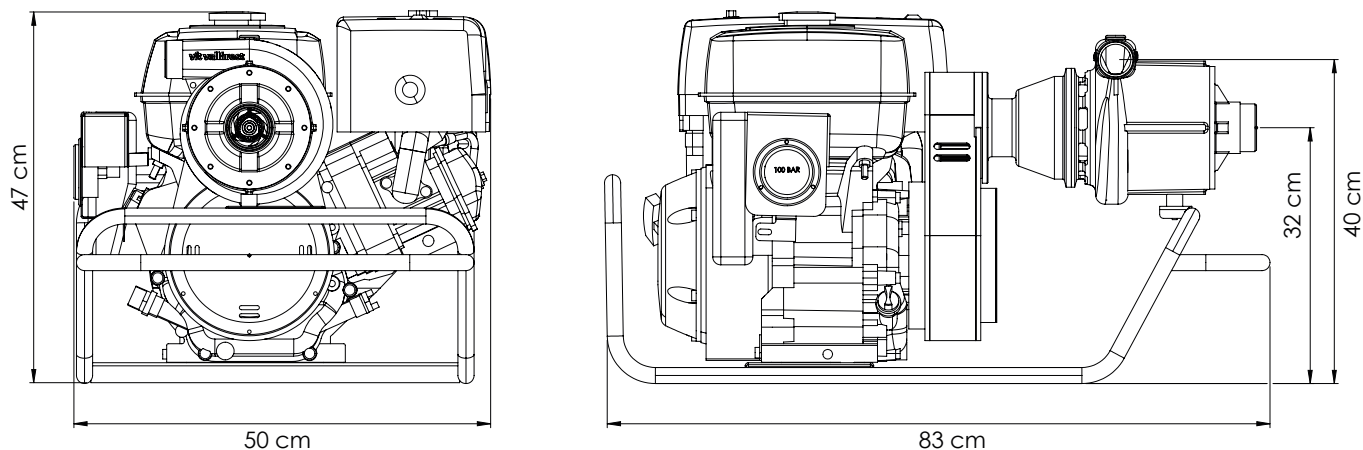
BH3-13 performance data

Max. Flow	380 l/m
Max. Pressure	25.8 bar
Max. Water Gauge	263 mH2O

Pressure [Bar]	Pressure [PSI]	Flow [L/min]	Flow [U.S. GPM]
24.1	349.5	38	10
13.8	200	189	50
3.5	50	342	90

4. Dimensions

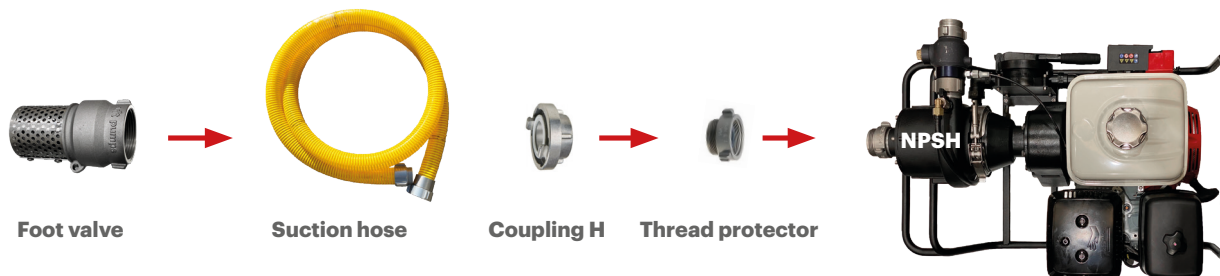
Length: 83 cm. | Wide: 50 cm. | Height: 47 cm.



5. Required components for operation

WATER SUCTION

A suction hose and foot valve are required to filter the water.



OPERATION

A coupling wrench is required to tighten and loosen thread protectors / adapters. It is necessary to prime the pump manually before operating.



FUEL FEEDING

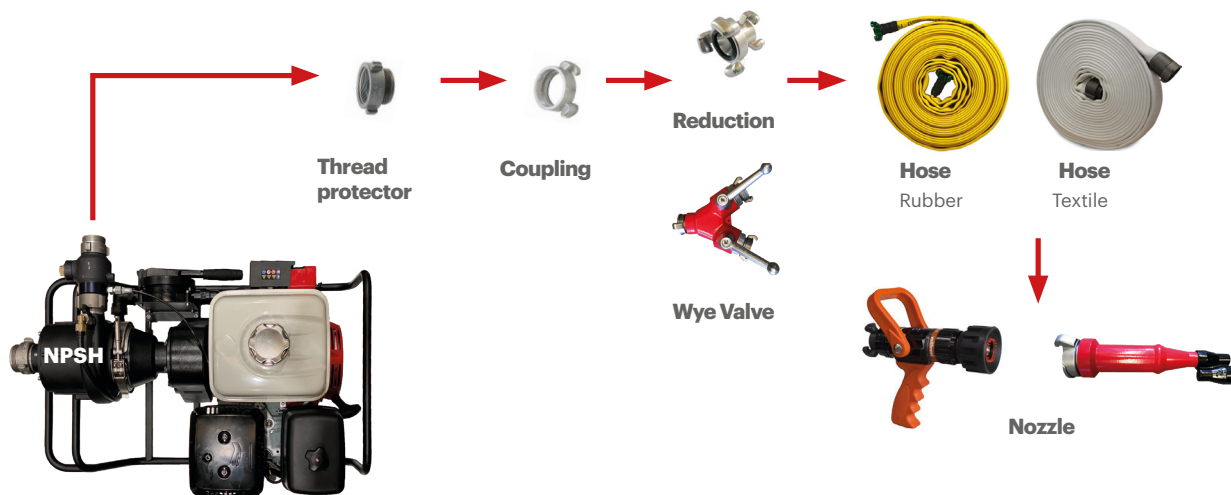
By a portable bottle. See the different types of bottles available according to regulations.



WATER IMPULSION

For the impulsion, choose the couplings according to the type of hose and the laying configuration: direct attack or connection in series or in parallel of several fire pump units.

* See our **Pump setup** sheet for more information.



6. List of components

Thread protectors

Necessary to protect the original threads of the pump and adapt the NPSH thread to any other type of thread, allowing the connection of other couplings.

- DVD3107-00001** NPSH-NPSH 1-1/2"
- DVD3107-00002** NPSH-BSP 1-1/2"
- DVD3107-00003** NPSH-NH 1-1/2"
- DVD3108-00001** NPSH-NPSH 2"
- DVD3108-00002** NPSH-BSP 2"
- DVD3108-00003** NPSH-NH 2"



vft Pumps coupling wrench

Allows safe tightening and loosening of thread protectors and couplings.

DVD3112-00001



vft Foot valve

The foot valve with non-return system filters the water and allows the suction circuit and the pump to be primed.

- DVD3105-00004** NPSH 2"
- DVD3105-00005** BSP 2"
- DVD3105-00006** NH 2"



Suction hose

Flexible wire reinforced suction hose.

- DVD3102-00001** 2" NPSH // L=3m
- DVD3102-00002** 2" BSP // L=3m
- DVD3102-00003** 2" NH // L=3m
- DVD3102-00004** 2" Storz 52-C // L=3m



7. Optional accessories

vft Pump repair kit

Includes different tools for the disassembly and assembly of the 2, 3 and 4 stage vft pumps.

DVD3115-AAA0A Repair kit for 2, 3 and 4 stage vft pumps



Hose choke

Tool that allows to quickly cut off the water flow to carry out operations such as, for example, lance changes or adding and removing hoses during direct attack.

DED5800-00000 Hose choke FC-2540

DED5801-00000 Textile hose choke



Protection base

Folding base made of resistant and waterproof canvas. It serves as protection for the fire pump in aggressive terrain and to contain tools and accessories during operation.

DVD3114-00001 Protection base



*See the price list to know all the components available depending on the threads, coupling types, diameters, etc. In case of doubt, contact your commercial agent or directly with customer.service@vallfirest.com.